

TWINDRIVE[®] TD32

Data sheet

TD32

The TWINDRIVE® TD3 is a dual actuator developed especially for leisure beds with box spring mattresses or similar where a high level of force is needed to bend the mattress. Combined with a wireless handset based on radio frequency or Bluetooth® communication, the TD3 forms a standard, quality system for leisure beds with optimum comfort for the end-user.

The TD3 is built on an intelligent, modular platform. Besides the high lifting capacity, the wireless handset and the exchangeable mains cable, the TD3 also offers extra channels for massage functions - all channels are activated via one handset.



Features:

- Mains voltage: 230 V AC 50/60 Hz
- Torque: 350 Nm
- RF-receiver built into the TD3
- Angle footrest $45^\circ \pm 3^\circ$
- Angle headrest $68^\circ \pm 3^\circ$
- 125 W toroidal transformer
- Installation dimension: 850 mm length x 110 mm height x 96 mm width. Installation dimension on the shaft 581 ± 1 mm distance. $\varnothing 25$ shaft
- Soft start/stop
- Low built-in height
- Low noise level
- Colour: Dark grey (RAL 7016)
- Memory

Options:

- Emergency lowering by means of 2 x 9 V batteries in drawer, mounted but not connected
- Parallel drive of two TD32 systems

Accessories:

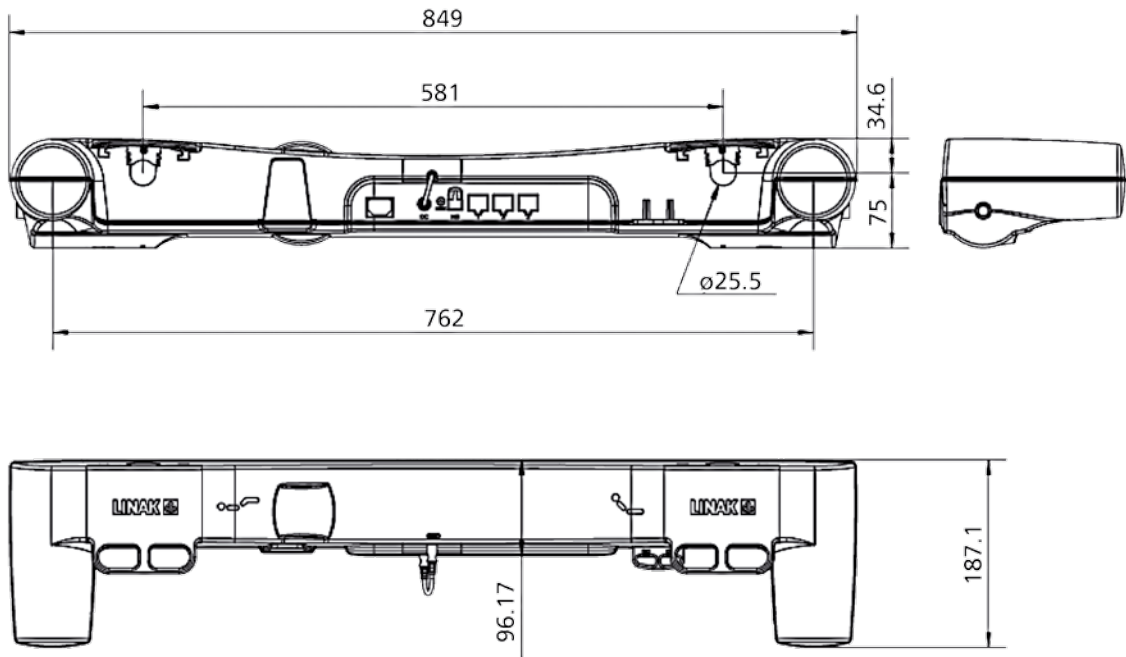
- Battery drawer with batteries as spare part for local mounting (for emergency lowering)
Article number TD30701153

- Battery drawer without batteries as spare part for local mounting (for emergency lowering)
Article number: TD30701175
- Mains cut-off (exchangeable mains cable)
- Choice of mains cables depending on country
- Compatible with the Bluetooth Adapter, BLE2LIN001.

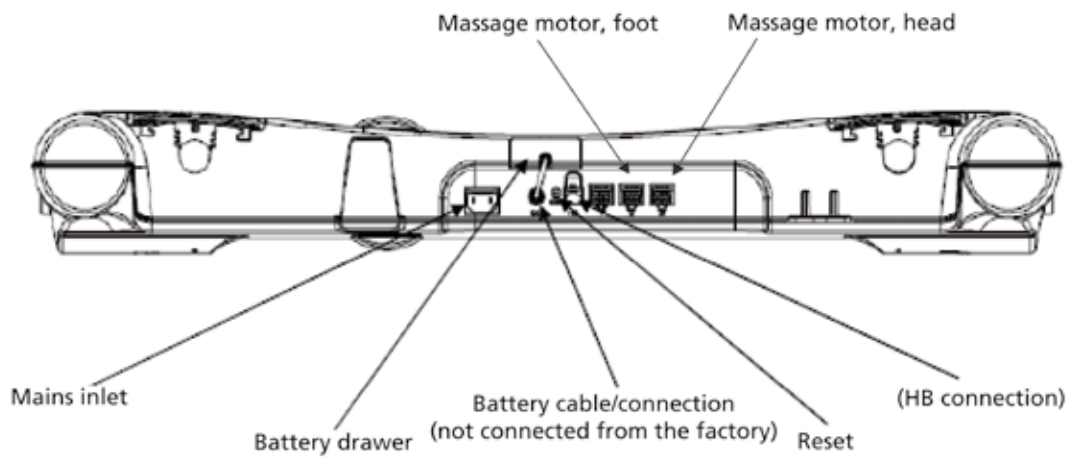
Usage:

- Duty cycle: 10 % ~ 6 min. per hour max. 2 min. at continuous use followed by 18 min. not in use
- The TD32 is compatible with HOMELINE® handset series and the MD1000D1 massage motor
- Typical standby power consumption without mains cut-off 0.8 W
- Typical standby power consumption with mains cut-off 0.1 W
- Ambient temperature: $+5^\circ\text{C}$ to $+40^\circ\text{C}$
- Storage and transport temperature: -10°C to $+70^\circ\text{C}$
- Approved according to EN 60335-1 and UL 962
- RF system tested and approved according to the R & TTE directive, EN 300 220-2 V2.1.1 and EN 300 220-2 V2.1.2
- EMC approval according to EN 55014-1/EN 55014-2

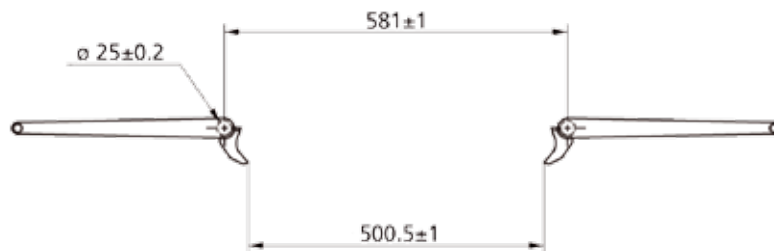
Dimension (mm):



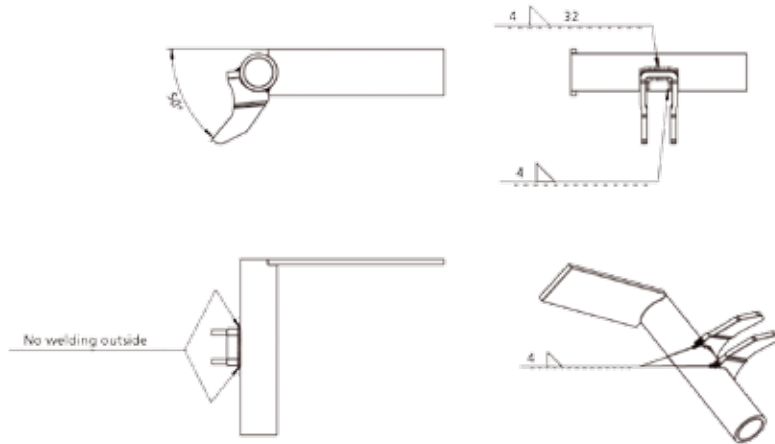
Connections:



Dimensions shaft distance:

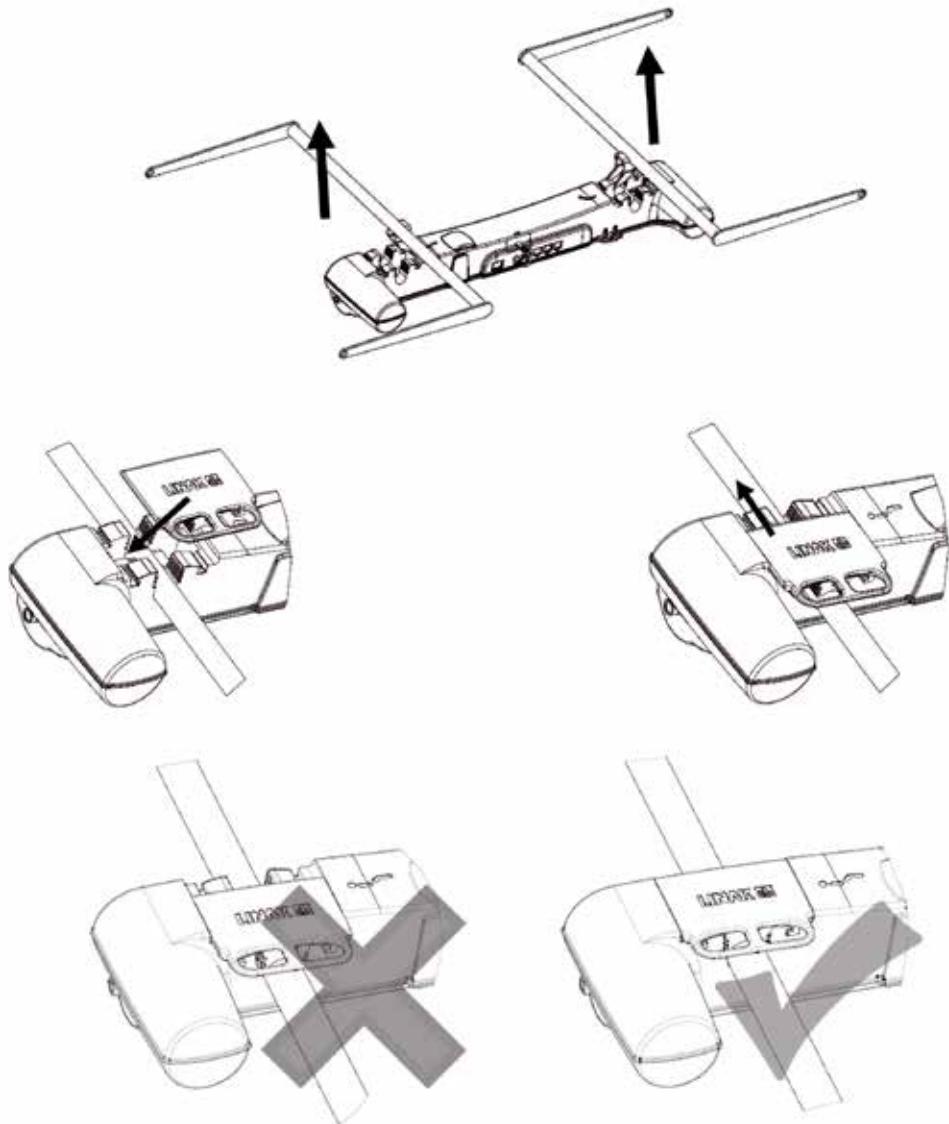


Welding of the twist bracket:



Mounting instructions for TWINDRIVE® system:

Mounting is made by pushing the TD3 unit into the bed bracket and thereafter "push" the closing devices on (part number: 0701058). It is important to be completely sure that the closing devices are in place before using the TD3.



Start-up (how to use the RF system):

Please be aware that if you use the TD3 for the first time or it has been disconnected from the mains, the receiver integrated in the TD3 needs approx. 20 sec. before being able to receive a signal.

The TD3 can accept commands from up to 2 RF handsets.

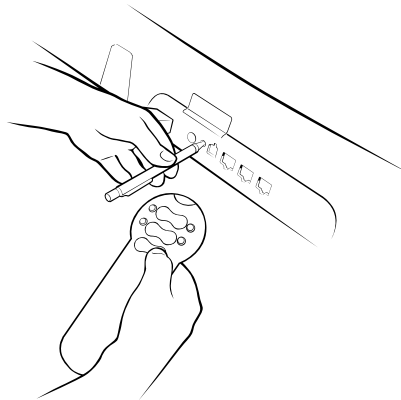
From the factory the TD3 cannot recognize any RF handsets at all and must be matched to the RF handset(s) by the end-user/bed manufacturer before these can control the TD3 operation.

Conditions which must be fulfilled prior to activating the learning mode:

The TD3 must be in the fully down position; if head or foot end are NOT in the fully down position; the matching procedure cannot be continued as now an ordinary reset down function is performed instead. Thereafter the reset key must be released and reactivated.

Activating the learning mode:

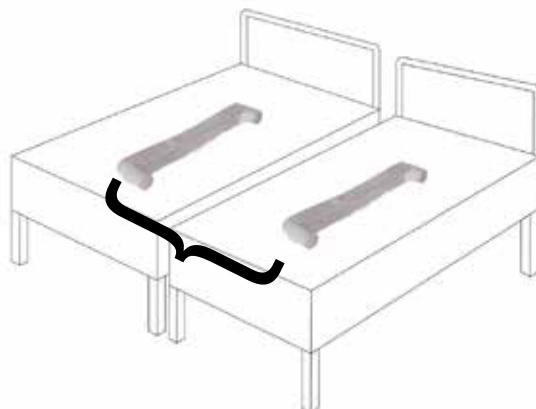
- Activate the reset key on the TD3 by using a pen or similar to keep the button pressed.



- Keeping the reset key activated; the RF handset(s) must be activated one at a time by pressing a random key on the RF handset. The RF handset ID's are stored in the TD3 memory and at the same time, previous RF handset ID's are erased. If you want to match 2 RF-handsets you should keep pressed the reset key on the TD3 until you have stored both handsets (don't release before you matched the second handset, otherwise it will recognize only the first one).
- After having activated the RF handset keys; the reset key must be released.
- If no RF handset keys are activated during the matching procedure; no changes are made in the ID memory of the TD3.
- Please be aware that other equipments (as e.g. doorbells), which use the 433MHz can disturb the RF signal.
- Under some circumstances it is not possible to run 2 or more TD3 at the same time (RF signal gets disturbed)

Each RF handset has its own 32 bit unique address and the RF protocol contains a check sum which ensures that only handsets that have been activated during the learning process can activate the TD3 system. No noise signal from other RF equipment can activate the TD3 system, but might prevent it from running depending on the signal strength of the noise signal.

Please observe that if you place 2 beds/2x TD3 at a distance below 0.8 m the RF signal they may interfere each other and the TD3s can run irregularly.



The min. distance between the TD3 must be 0.8 m

Please observe that if you order the TD3 with 2 x 9 V batteries mounted, the batteries will not be connected. The customer needs to connect the cable from the battery drawer to the TD3 when installing the bed and connecting the mains.

If the batteries are connected and the bed is not connected to the mains, the batteries will discharge in approx. 2 months and it will not be possible to perform an emergency lowering.

Lifetime of batteries:

The batteries must be changed after an emergency lowering has been performed. Batteries that have not been used must be changed after approx. 3 years.

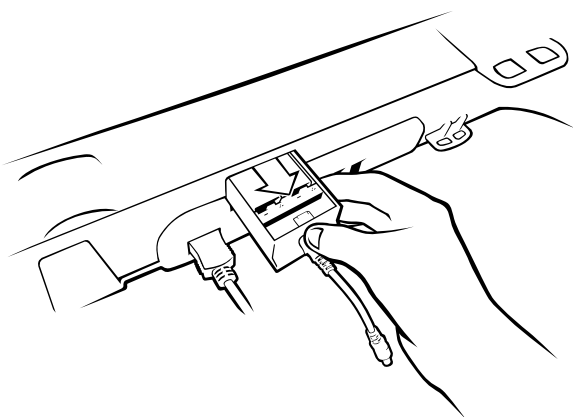
Battery type:

Alkaline 9 V batteries 9F22 or 6LR61

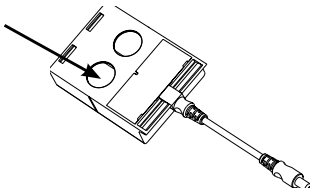
Removal/fitting of the 2 x 9 V batteries:

To change the 2 x 9 V batteries for emergency lowering the first step is to disconnect the cable and then pull out the drawer of the TD3. On the bottom of the drawer, there are 2 holes, which are to be pushed with a finger or a blunt instrument. The batteries will be released from the drawer when pushing. The new batteries can be placed in the drawer. Afterwards, place the drawer in the TD3 and connect the cable again.

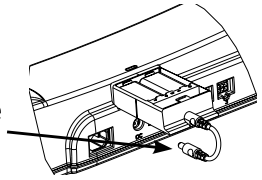
Only use alkaline batteries, and make sure to polarise the batteries correct according to the symbols in the drawer.



To pull out the batteries press here



Remember to connect the cable again afterwards

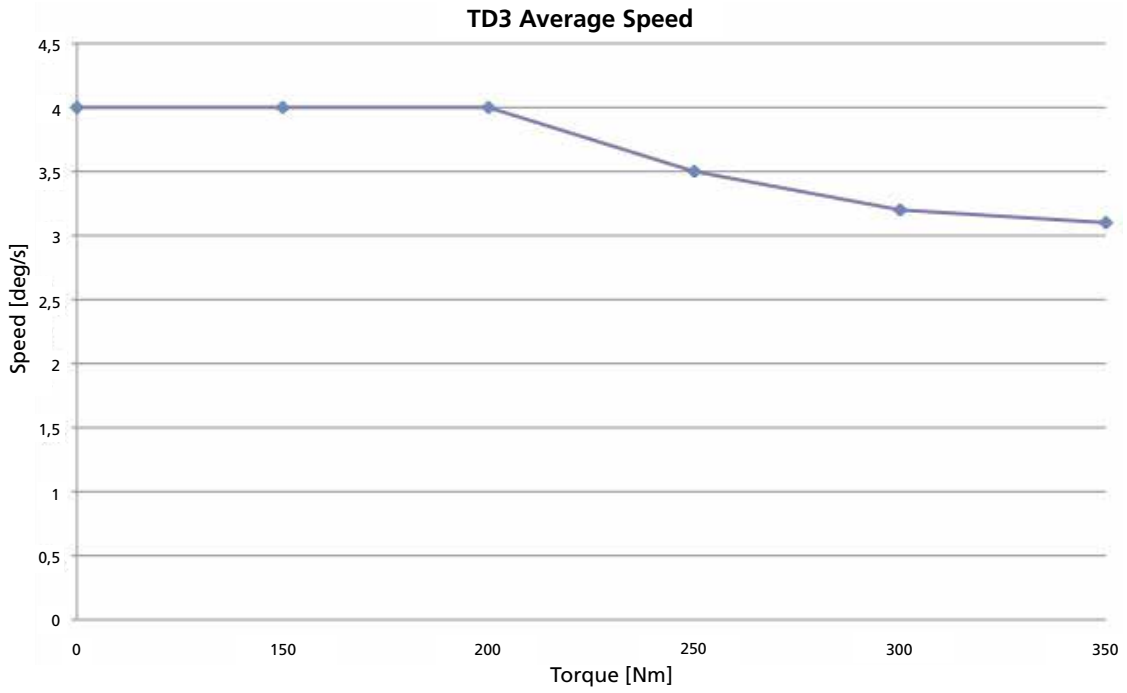


TD3 mains cable:



Speed curve for TD3.2

Speed curve shown with a TD3 125W trafo:

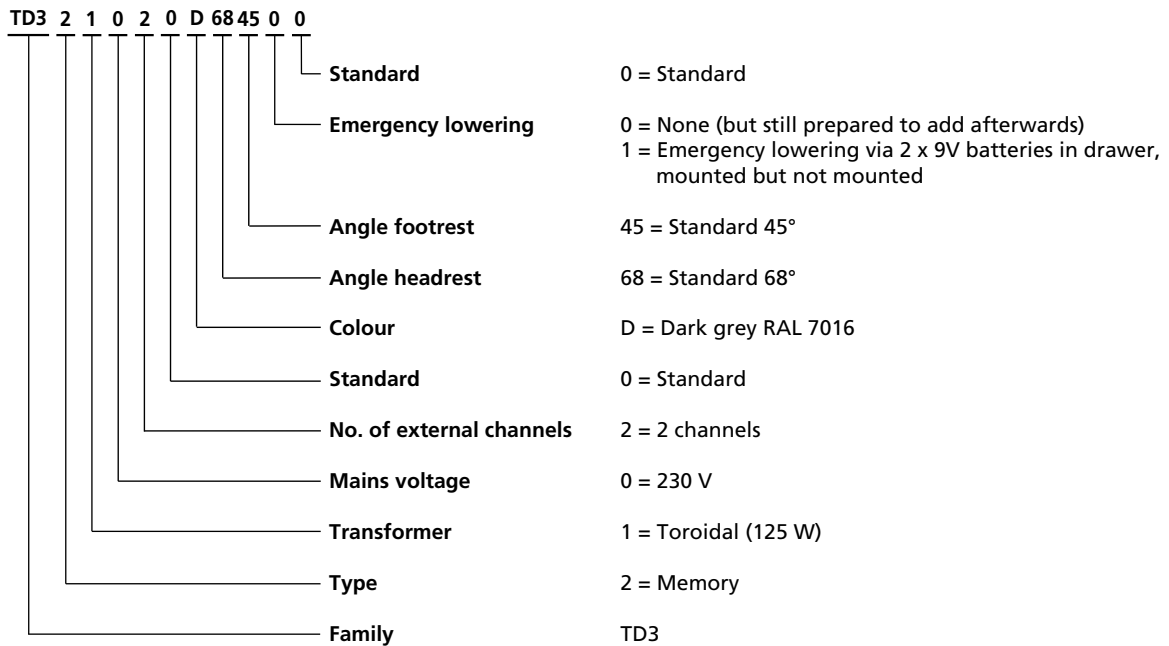


Simultaneously up:

Maximum is 350 Nm on Head- and 200 Nm on Foot end motor.

TWINDRIVE® TD32:

Ordering example:



To be ordered separately:

Exchangeable mains cable without mains cut-off:

Ordering number **0015562**, for the EU version
 Ordering number **0015942**, for the US version
 Ordering number **0015588**, for the UK version
 Ordering number **0015192**, for the JAP version
 Ordering number **0015239**, for the AUS version

Exchangeable mains cable with mains cut-off

Ordering number **WP0500**, for the EU version

Handsets must be ordered separately!

Twist brackets

Ordering number 701121

Battery drawer as spare part with batteries

Ordering number TD30701153

Battery drawer as spare part without batteries

Ordering number TD30701175

Terms of use

The user is responsible for determining the suitability of LINAK products for specific application. LINAK takes great care in providing accurate and up-to-date information on its products.

However, due to continuous development in order to improve its products, LINAK products are subject to frequent modifications and changes without prior notice. Therefore, LINAK cannot guarantee the correct and actual status of said information on its products.

While LINAK uses its best efforts to fulfil orders, LINAK cannot, for the same reasons as mentioned above, guarantee the availability of any particular product. Therefore, LINAK reserves the right to discontinue the sale of any product displayed on its website or listed in its catalogues or other written material drawn up by LINAK.

All sales are subject to the Standard Terms of Sale and Delivery for LINAK. For a copy hereof, please contact LINAK.